

PENNSAFE BUILDING INSPECTION SERVICES LLC

175 Beaver Drive, PO Box 486 – DuBois, PA. 15801

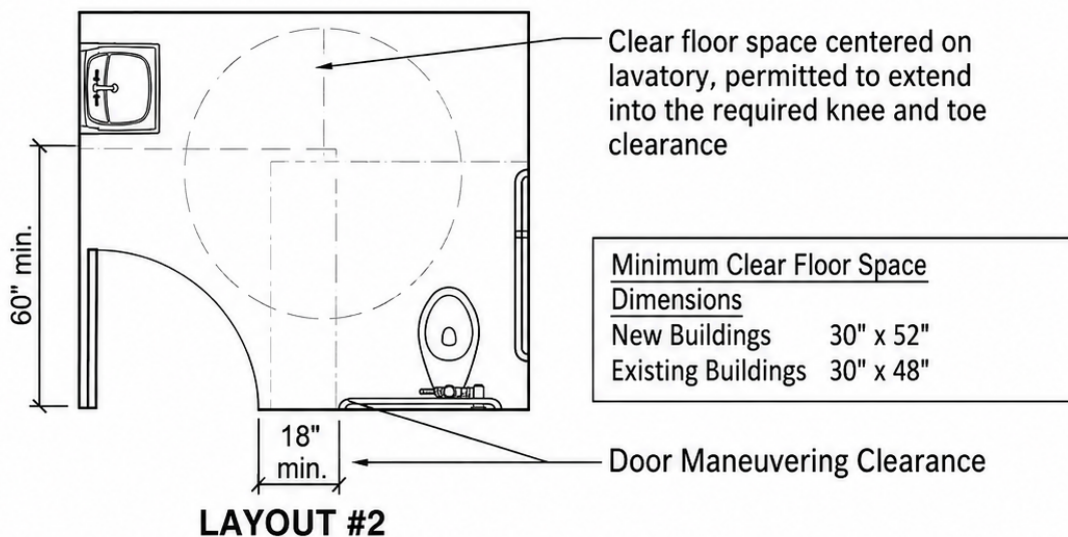
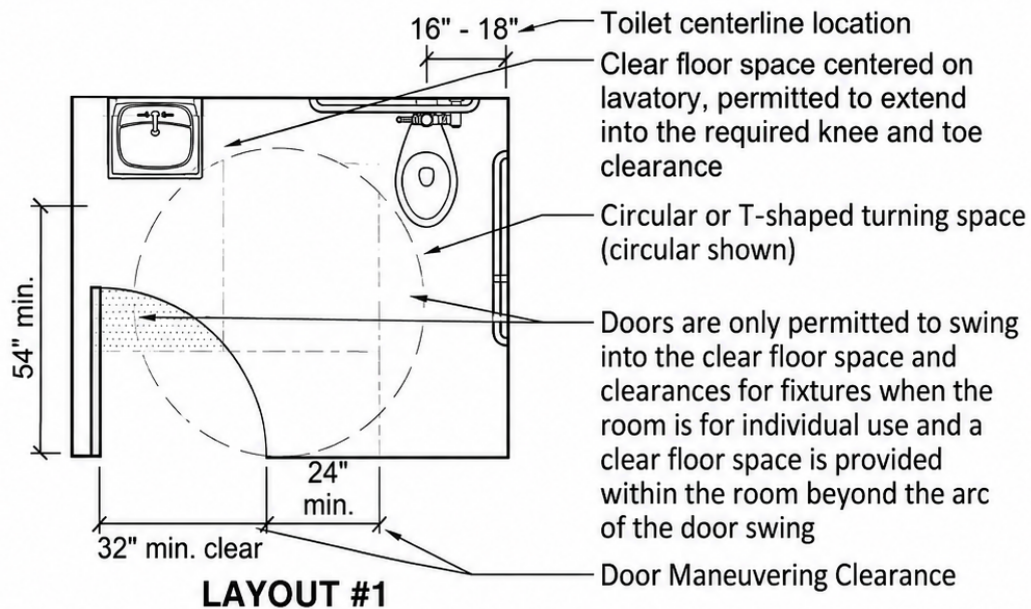
Phone: 814-375-1111

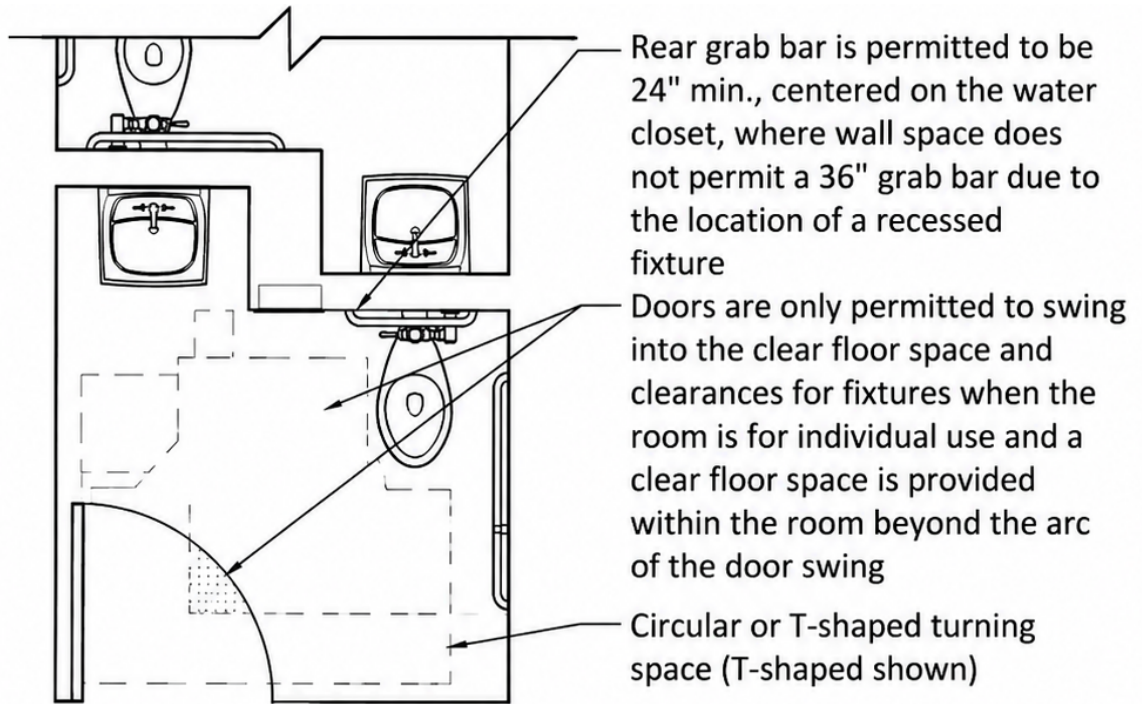
Fax: 814-375-1117

Accessible Restroom

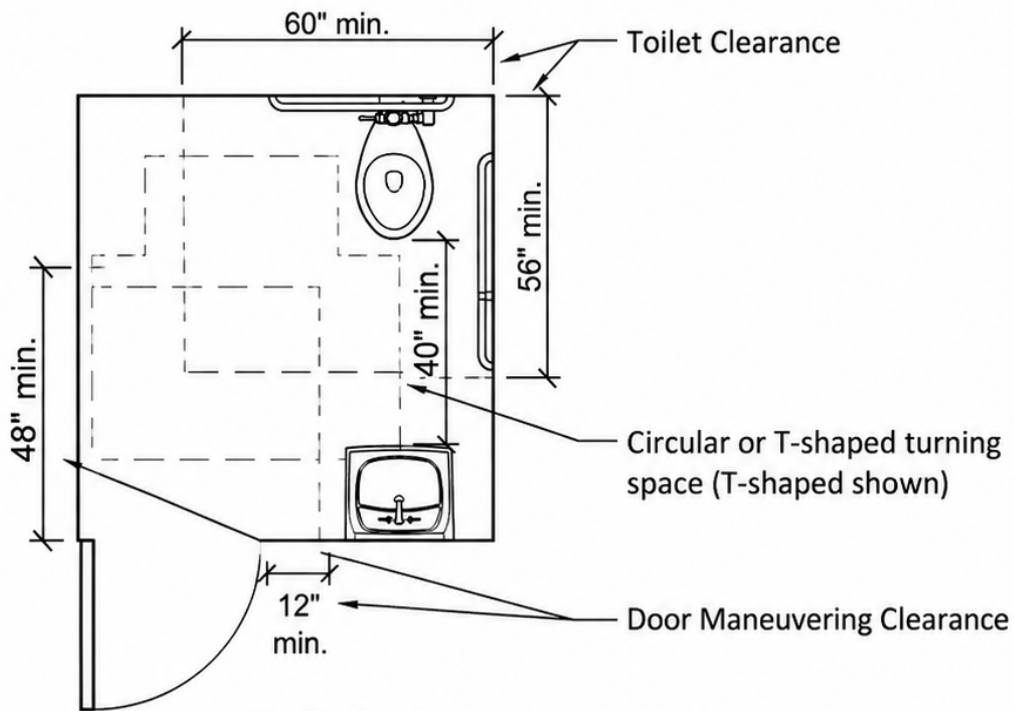
This tip sheet reflects code requirements of the 2021 International Building Code (IBC) and ICC A117.1-2017.

For restrooms primarily used by children, refer to A117.1.604.11.1 for alternative dimensional requirements.

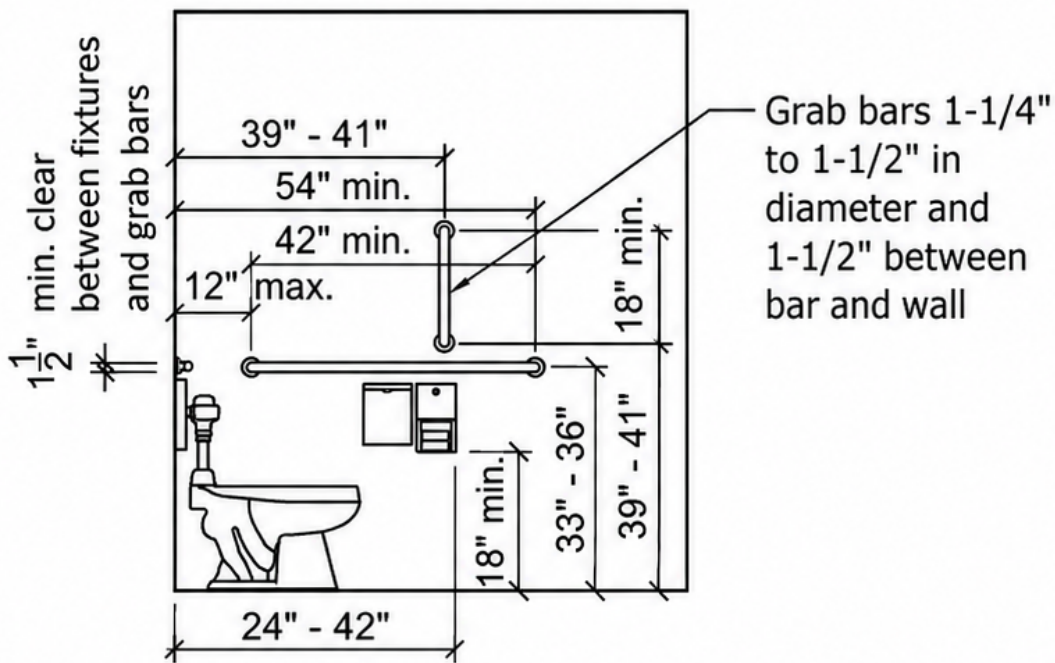
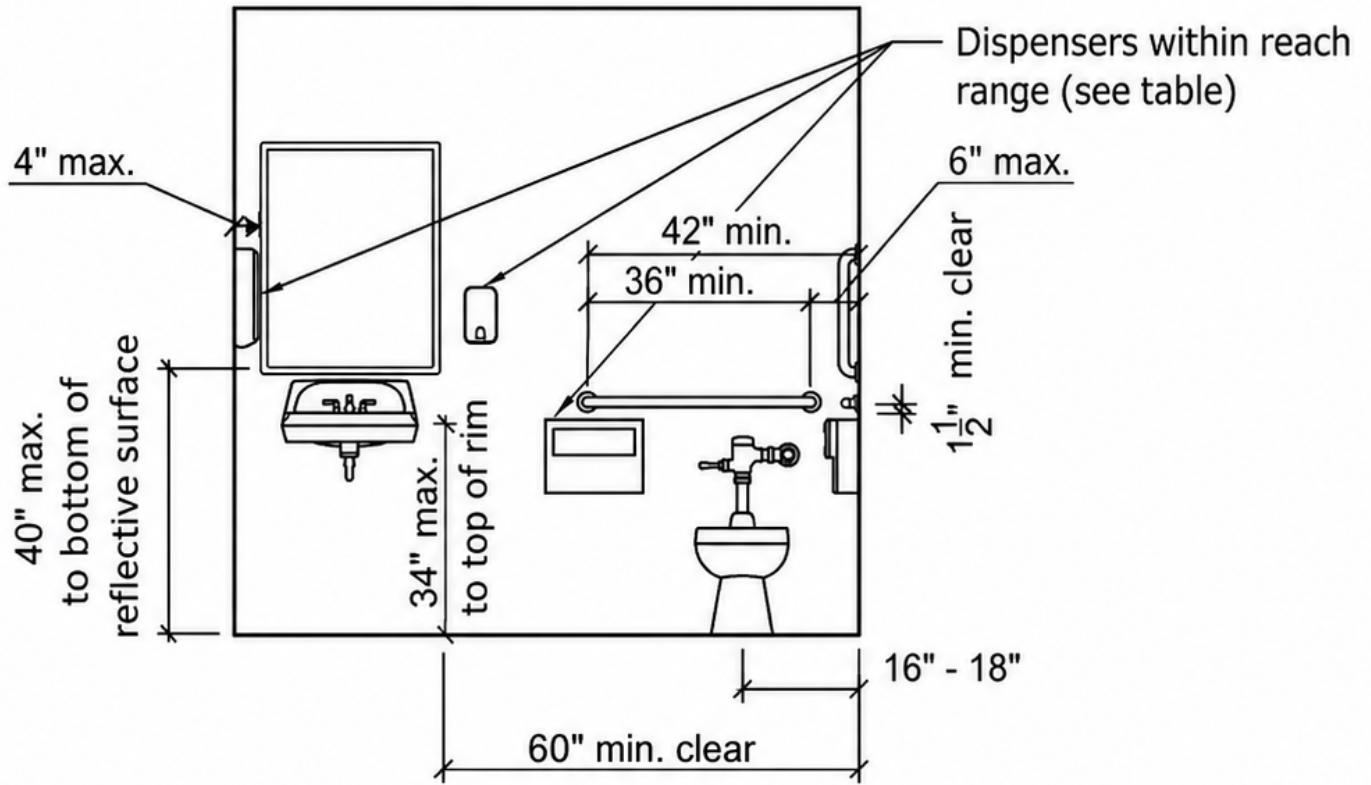


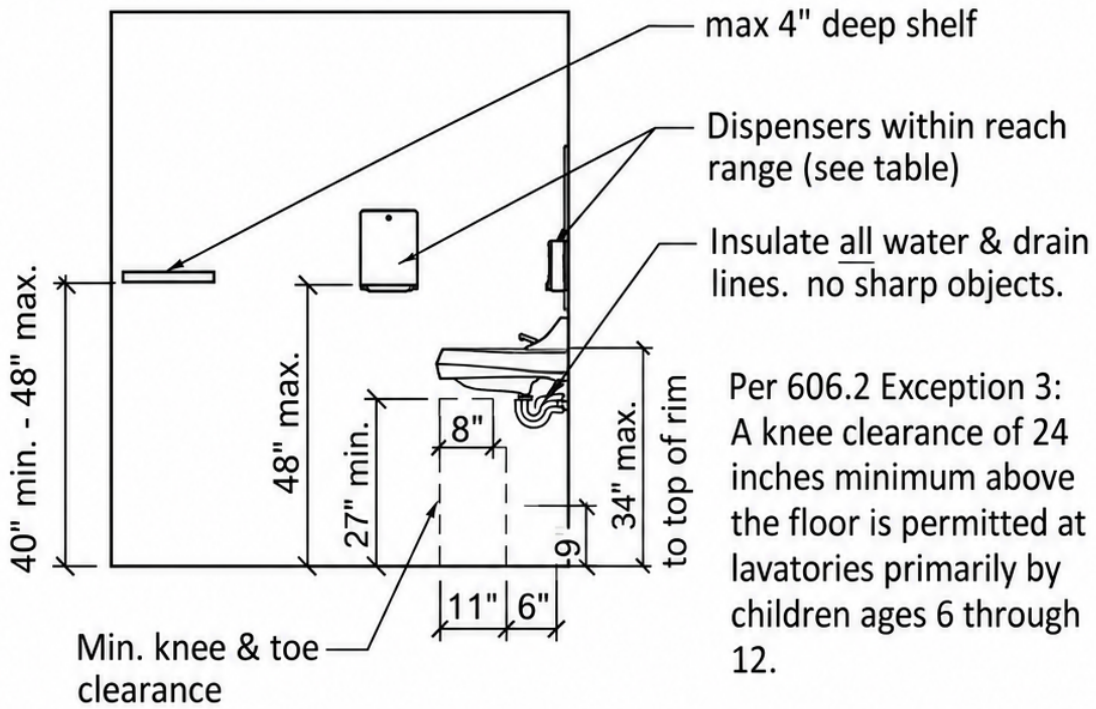


LAYOUT #3



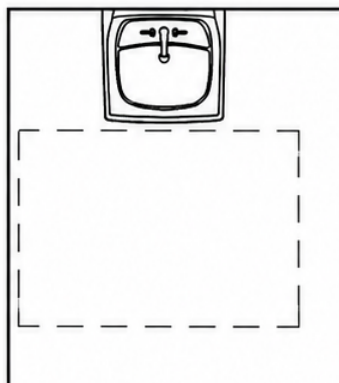
LAYOUT #4





Maximum Reach Depth	.5 inch	2 inches	5 inches	6 inches	9 inches	11 inches
Maximum Reach Height	48 inches	46 inches	42 inches	40 inches	36 inches	34 inches

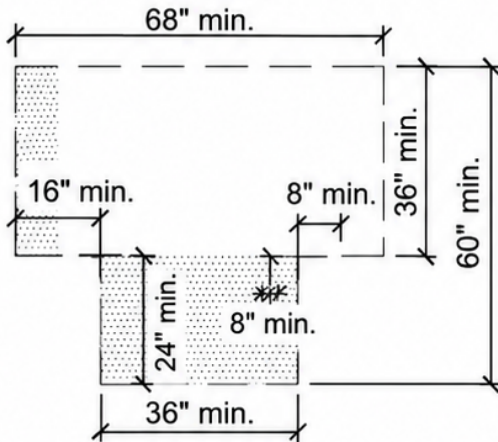
Where dispensers, outlets, or controls are installed above obstructions (lavatories, etc), ensure max. depth and height in accordance with ICC/ANSI A117.1 Table 603.6



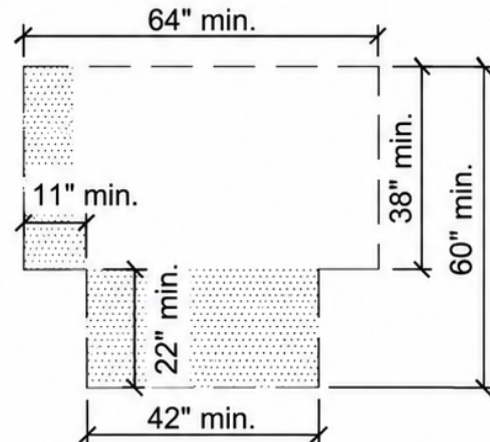
Per 606.2 Exception 4: A clear floor space providing parallel approach shall be permitted at lavatories and sinks used primarily by children ages 5 and younger

The 2017 version of ICC A117.1 standard has different turning space requirements for existing and new buildings. An existing building is defined as one which was erected prior to the date of adoption of the 2017 ICC A117.1 standard, or one for which a legal building permit has been issued.

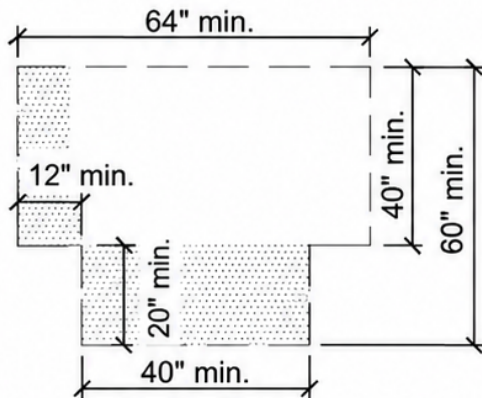
TURNING SPACE IN NEW BUILDINGS



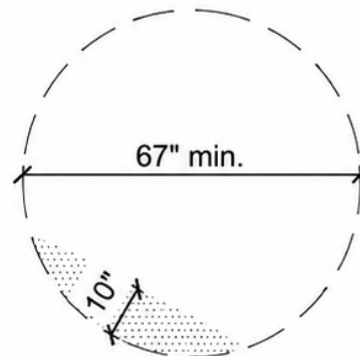
**T-SHAPED
OPTION 1**



**NEW
BUILDING
OPTION 2**

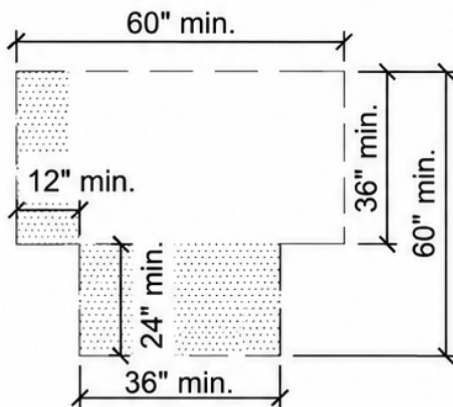


**T-SHAPED
OPTION 3**

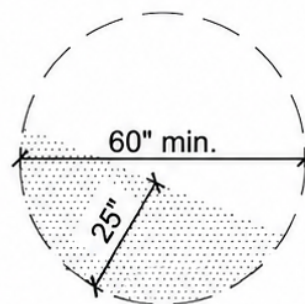


CIRCULAR

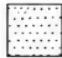
TURNING SPACE IN EXISTING BUILDINGS



T-SHAPED



CIRCULAR

 Maximum allowable overlap of Turning Space and Knee and Toe Clearances

