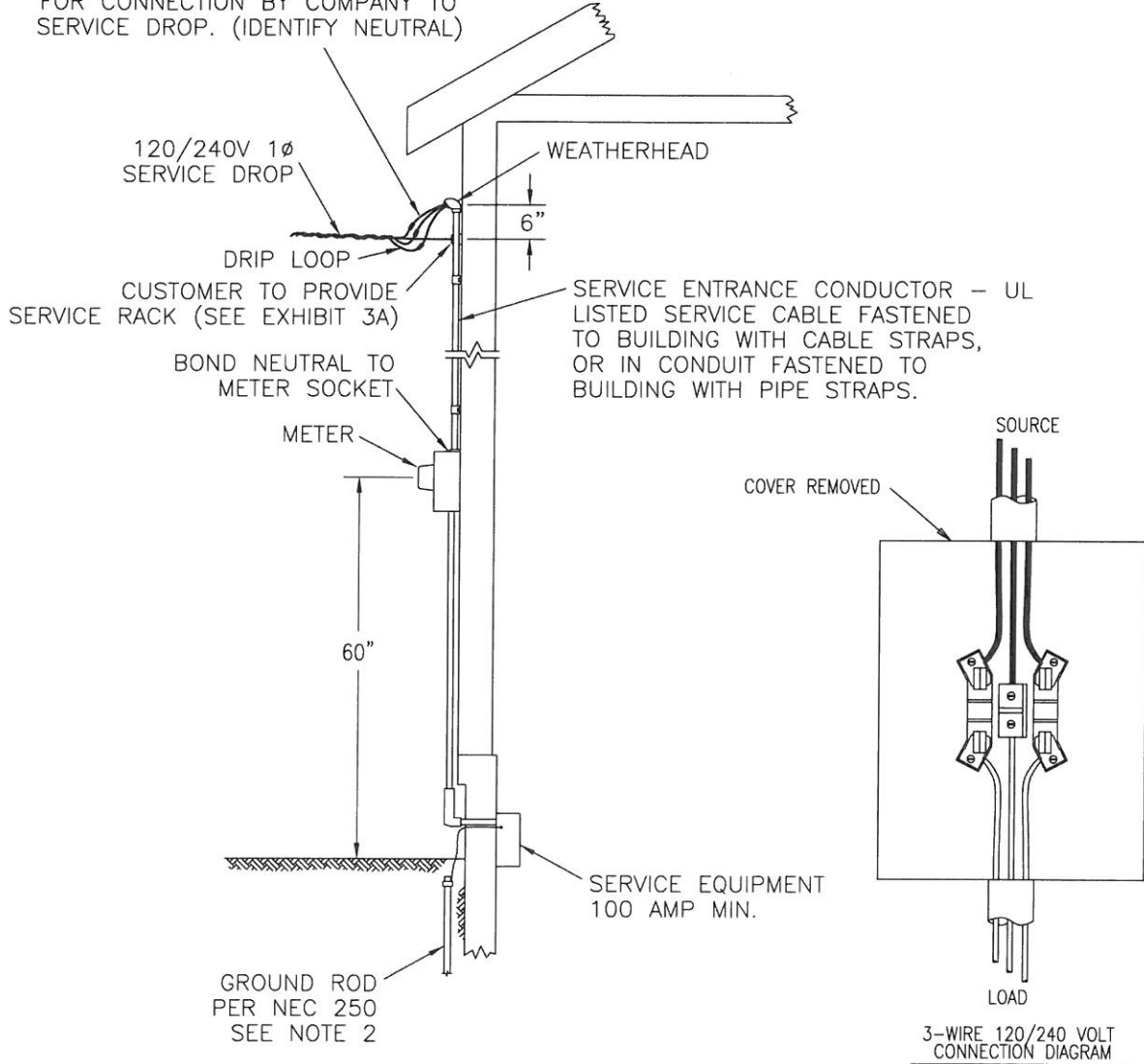


SERVICE ENTRANCE CONDUCTORS SHALL PROJECT AT LEAST 5 FT FROM WEATHERHEAD FOR CONNECTION BY COMPANY TO SERVICE DROP. (IDENTIFY NEUTRAL)



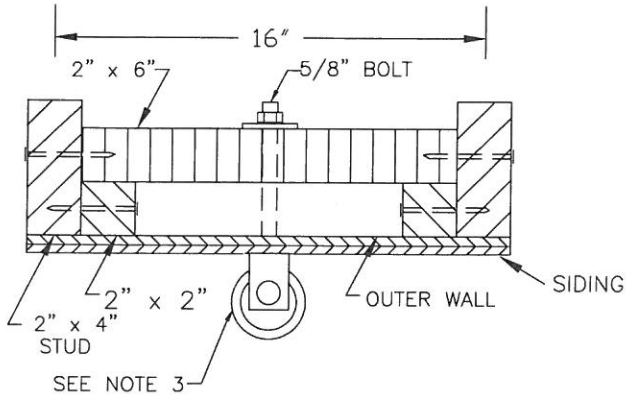
NOTES:

1. SERVICE DROP CLEARANCES ABOVE GRADE, ALLEYS, DRIVEWAYS, AND AREAS SUBJECT TO TRUCK USE, SHALL BE IN ACCORDANCE WITH NESC. MINIMUM GROUND CLEARANCE OF 10 FT TO THE BOTTOM OF THE DRIP LOOP IS REQUIRED AS PER NEC.
2. MINIMUM GROUNDING REQUIREMENTS PER NEC 250. METER SOCKET(S) MAY BE CONNECTED TO AN EXTERNAL GROUND ROD IF REQUIRED BY LOCAL INSPECTION AUTHORITIES.
3. FOR CUSTOMER/COMPANY RESPONSIBILITIES SEE COMPANY SPECIFIC SERVICE GUIDE EXHIBIT 19.

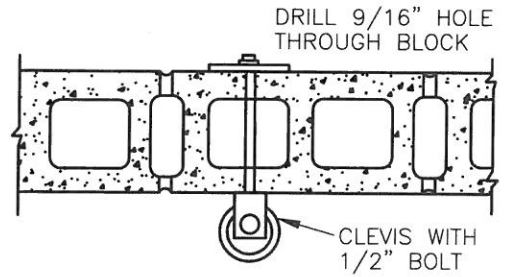
**OVERHEAD SERVICE
RESIDENTIAL ENTRANCE INSTALLATION**

FirstEnergy.

Service Guide	REV.
EXHIBIT 3	6
	DATE
	8/06

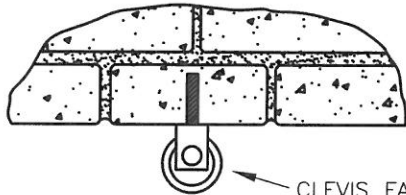


WOOD, ALUMINUM, OR COMPOSITION SIDING



CINDER OR CEMENT BLOCK

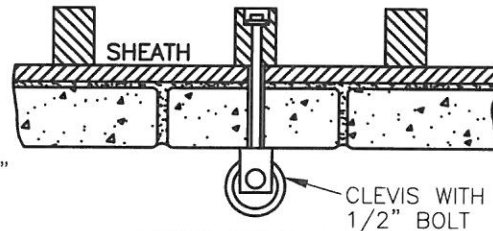
TO BE INSTALLED IN THE BRICK OR POURED CEMENT ONLY. NOT IN THE BRICK MORTAR.



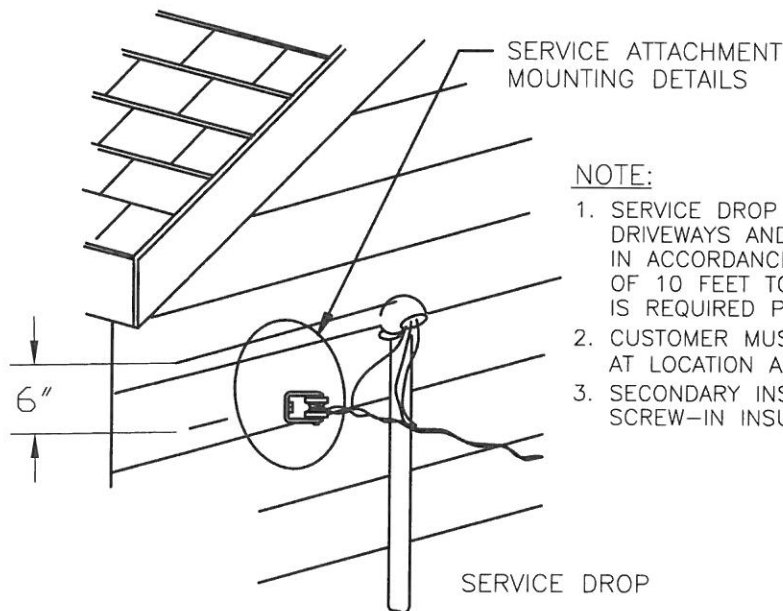
SOLID BRICK OR CONCRETE MASONRY

DRILL 9/16\"/>

BOLT TO BE INSTALLED BEFORE BRICKWORK IS STARTED.



BRICK VENEER



NOTE:

1. SERVICE DROP CLEARANCES ABOVE GRADE, ALLEYS, DRIVEWAYS AND AREAS SUBJECT TO TRUCK USE, TO BE IN ACCORDANCE WITH NESC. MINIMUM GROUND CLEARANCE OF 10 FEET TO THE BOTTOM OF THE DRIP LOOP IS REQUIRED PER NEC.
2. CUSTOMER MUST PROVIDE AND INSTALL SERVICE ATTACHMENT AT LOCATION APPROVED BY THE COMPANY. ◀
3. SECONDARY INSULATORS WITH CLEVIS AND 5/8\"/>

OVERHEAD SERVICE SERVICE DROP ATTACHMENT

FirstEnergy.

Service Guide

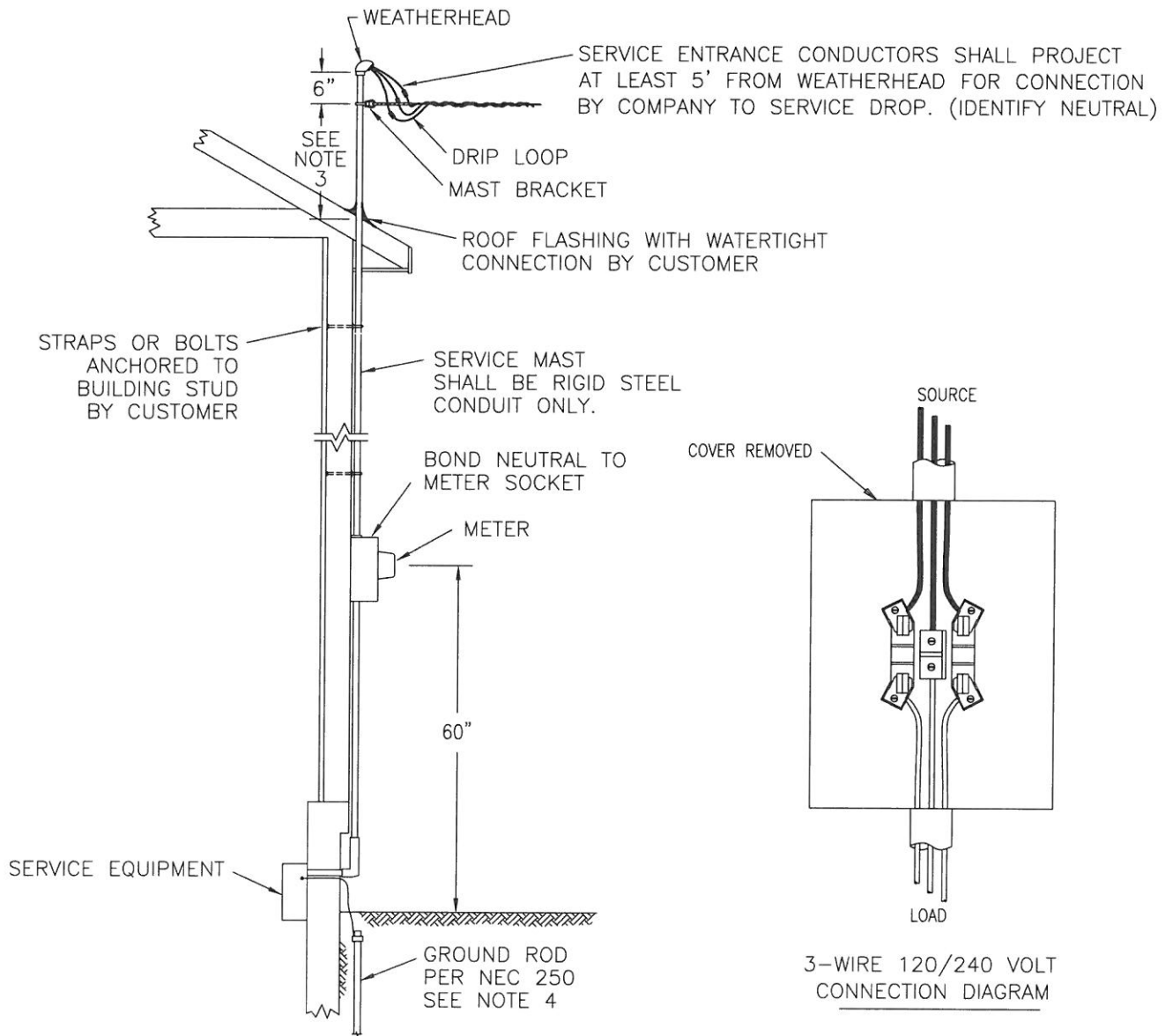
REV.

5

EXHIBIT 3A

DATE

8/06



NOTES:

1. SERVICE DROP CLEARANCES ABOVE GRADE, ALLEYS, DRIVEWAYS, AND AREAS SUBJECT TO TRUCK USE, TO BE IN ACCORDANCE WITH NESC. MINIMUM GROUND CLEARANCE OF 10' TO THE BOTTOM OF THE DRIP LOOP IS REQUIRED PER NEC.
2. TWO BOLTED CONDUIT "U" CLAMPS MUST BE INSTALLED TO BUILDING STUD BY CUSTOMER.
3. IF 30" OR LESS USE MINIMUM OF 2" STEEL CONDUIT, FOR OVER 30" USE MINIMUM 3" STEEL CONDUIT. IF OVER 36" IS REQUIRED FOR GRADE CLEARANCE, GUYING MAY BE REQUIRED BY CUSTOMER PER COMPANY. NO COUPLINGS PERMITTED ABOVE ROOF LINE.
4. METER SOCKET(S) MAY BE CONNECTED TO AN EXTERNAL GROUND ROD, IF REQUIRED BY LOCAL INSPECTION AUTHORITIES.
5. FOR CUSTOMER/COMPANY RESPONSIBILITIES SEE COMPANY SPECIFIC SERVICE GUIDE EXHIBIT 19.

**OVERHEAD SERVICE
RESIDENTIAL MAST INSTALLATION**

FirstEnergy.

Service Guide	REV.
EXHIBIT 4	5
	DATE 7/06